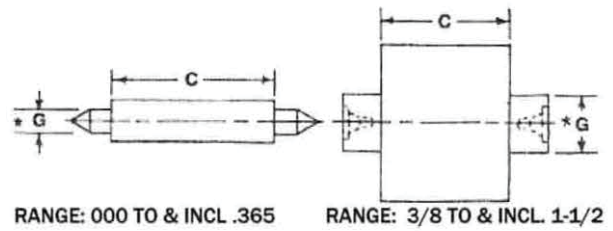
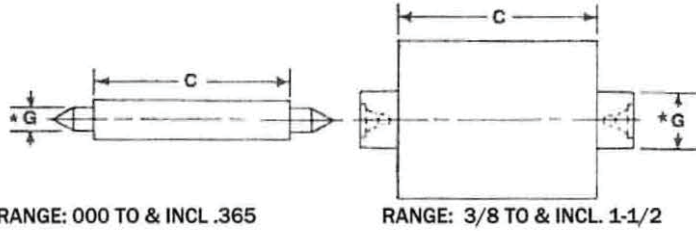


# MASTER SETTING DISK BLANKS – SIZE 000 thru 1-1/2



STYLES 1 AND 2

STYLE 3

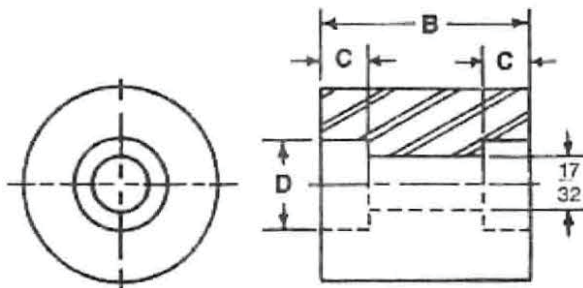
ORDER BY BLANK SIZE NUMBER	GRIP SIZE NO.	O.D SIZE	GENERAL DIMENSIONS			
			STYLES 1 & 2		STYLE 3	
			C	G*	C	G*
000	00	0.115	1-1/16	.050	11/16	.050
00		0.160				
8	0	0.179	1-3/16	.080	3/4	.080
10		0.205				
12		0.229				
.230		0.250				
1/4	1	0.260	1-5/16	.128	13/16	.128
5/16		0.322				
.365		0.375				
3/8	2	0.385	1-7/16	.188	7/8	.188
7/16		0.448				
1/2		0.520				
9/16	3	0.572	1-9/16	.250	15/16	.250
5/8		0.635				
11/16		0.697				
3/4		0.760				
13/16	4	0.835	1-11/16	.500	1	.500
7/8		0.885				
15/16		0.947				
1		1.010				
1-1/16		1.072				
1-1/8	1.145	1-15/16	.625	1-1/8	.625	
1-3/16	1.197					
1-1/4	1.260					
1-5/16	1.322					
1-3/8	1.385					
1-7/16	1.447	1-1/2	1.520			
1-1/2	1.520					

**\*NOTE:** G Dimension has + .005 - .000 grind stock.

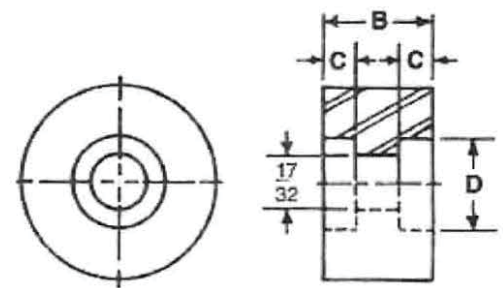
Master Disk Blanks are made from Oil Hardening Tool Steel, hardened and drawn to Rockwell 60-62.

To Order Contact: Gage Crib Worldwide Inc; Email: sales1@gagecrib.com

# MASTER SETTING DISK BLANKS – SIZE 2 thru 8

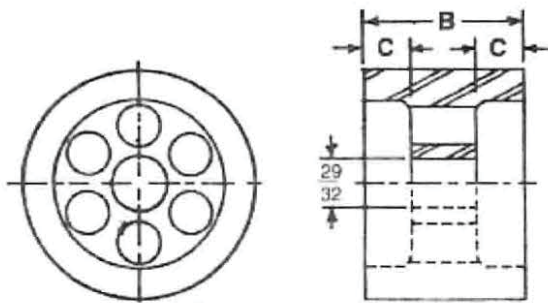


STYLES 1

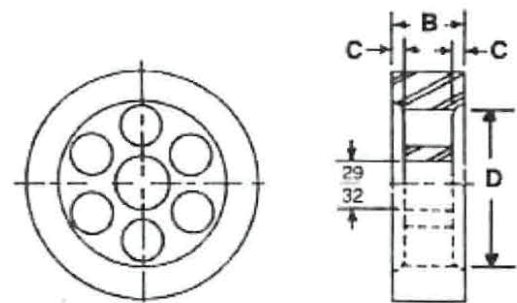


STYLE 2 AND 3

ORDER BY BLANK SIZE NUMBER	GRIP SIZE NO.	GENERAL DIMENSIONS							
		DECIMAL RANGE		STYLE 1			STYLES 2 & 3		
		ABOVE	TO & INCL.	B	C	D	B	C	D
2	6	1.510	2.010	1-7/8	1/2	25/32	7/8	5/16	25/32
2-1/2		2.010	2.510	2					



STYLES 1



STYLE 2 AND 3

ORDER BY BLANK SIZE NUMBER	GRIP SIZE NO.	GENERAL DIMENSIONS							
		DECIMAL RANGE		STYLE 1			STYLES 2 & 3		
		ABOVE	TO & INCL.	B	C	D	B	C	D
3	7	2.510	3.010	2	5/8	1-7/8	1	1/8	1-7/8
3-1/2		3.010	3.510			2-1/4			2-1/4
4		3.510	4.010	2-1/8	11/16	2-5/8			2-5/8
4-1/2		4.010	4.510			3			3
5		4.510	5.010			3-7/16			3-7/16
5-1/2		5.010	5.510			3-7/8			3-7/8
6		5.510	6.010			4-5/16			4-5/16
6-1/2		6.010	6.510			4-3/4			4-3/4
7		6.510	7.010			5-1/4			5-1/4
7-1/2		7.010	7.510			5-3/4			5-3/4
8	7.510	8.010	6-1/4	6-1/4					

Master Setting Disk Blanks available in 8620 Alloy Steel Soft. Blanks can be turned to your finished size, plus grind stock, for an additional charge.

Above 8" available by quotation.

To Order Contact: Gage Crib Worldwide Inc; Email: sales1@gagecrib.com