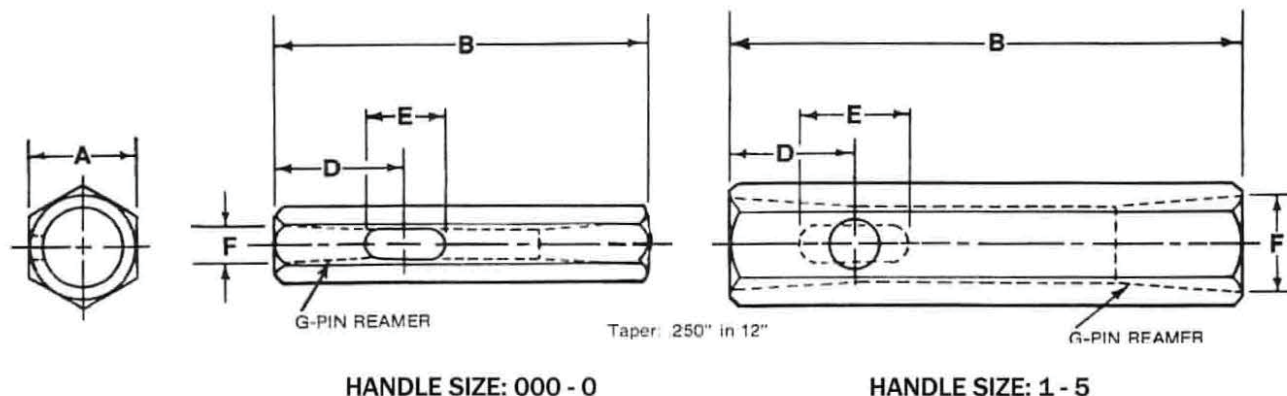


TAPERLOCK PLUG GAGE HANDLES



ORDER BY HANDLE SIZE NUMBER	PLUG GAGE DIAMETERS		GENERAL DIMENSIONS						
	ABOVE	TO & INC.	A	B	D	E	F		G
000	0.059	0.105	1/4	1-1/2	9/16	5/64 x 1/4	0.125	0.126	000
00	0.105	0.150	1/4	1-3/4	5/8	3/32 x 5/16	0.155	0.156	0
0	0.150	0.230	5/16	2	11/16	1/8 x 3/8	0.180	0.181	2
1	0.230	0.365	3/8	2-3/4	25/32	1/8 x 1/2	0.239	0.240	4
2	0.365	0.510	1/2	3	25/32	15/64	0.309	0.310	6
3	0.510	0.825	11/16	3-1/4	53/64	9/32	0.409	0.410	7
4	0.825	1.135	7/8	3-5/8	63/64	3/8	0.609	0.610	10
5	1.135	1.510	1	4	1-1/8	7/16	0.809	0.810	11

These handles are available in polished aluminum, or may be anodized in Black, Yellow, Dark Blue, Green, Red, Gold, Light Blue, Copper, Light Gold, Gold, Dark Gold, Grey, Clear Coating, Orange, and Purple for an additional charge.

To Order Contact:

Gage Crib Worldwide Inc.
6701 Old 28th St SE; Suite B
Grand Rapids MI 49546-6937

Email: sales1@gagecrib.com
Phone: 001.616.954.6581
Fax: 001.616.954.6583