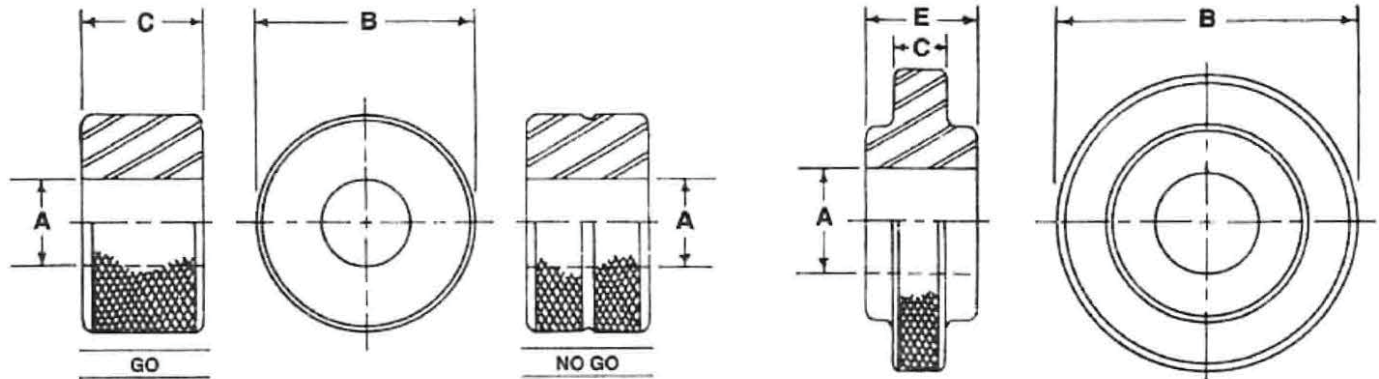


PLAIN RING GAGE BLANKS



RING SIZE: 000 - 5

RING SIZE: 6 - 21

ORDER BY RING SIZE NUMBER	"A" RANGE		"A" DRILLED HOLE	GENERAL DIMENSIONS		
	ABOVE	TO & INCL.		B	C	E
000	0.010	0.040		15/16	1/16	
00	0.040	0.150			3/16	
0	0.150	0.230			3/8	
1	0.230	0.365	1/8	1-1/8	9/16	
2	0.365	0.510	1/4	1-3/8	3/4	
3	0.510	0.825	7/16	1-3/4	15/16	
4	0.825	1.135	3/4	2-1/8	1-1/8	
5	1.135	1.510	1-1/16	2-1/2	1-5/16	
6	1.510	2.010	1-3/8	4	1/2	1-1/2
7	2.010	2.510	1-7/8	4-1/2	9/16	
8	2.510	3.010	2-3/8	5	5/8	
9	3.010	3.510	2-7/8	5-1/2	11/16	
10	3.510	4.010	3-3/8	6-3/8	3/4	
11	4.010	4.760	3-7/8	7-1/4	7/8	
12	4.760	5.510	4-7/8	8-1/4	1	
13	5.510	6.260	5-3/8	9-1/4		
14	6.260	7.010	6-1/8	10-1/4		
15	7.010	7.760	6-7/8	11-1/4		
16	7.760	8.510	7-5/8	12-1/4		
17	8.510	9.260	8.385	13-1/4		
18	9.260	10.010	9.135	14-1/4		
19	10.010	10.760	9.885	15-1/4		
20	10.760	11.510	10.635	16-1/4		
21	11.510	12.260	11.385	17-1/4		

Plain Ring Blanks available in 8620 Alloy Steel or 06. Blanks can be bored to your specified size, plus grind stock, for an additional charge.

To Order Contact: Gage Crib Worldwide Inc; Email: sales1@gagecrib.com